

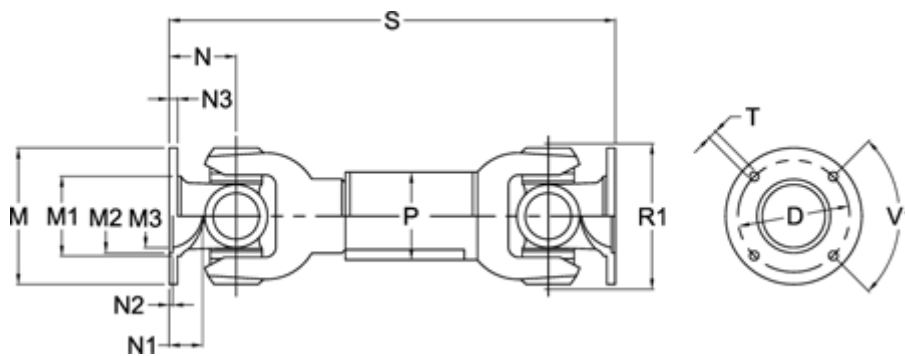
Data Sheet



Article number: 071481310360040

Description: Cardan drive shaft 0.148.131.001
S=360 X=40 Bore with keyway

Measures



| | | | | | |
|----------------------------|---------------|-----------------------|-------------|------------|--------|
| D | = 155,5 +-0,1 | N1 | = 32 | T | = 12 B |
| Extension X | = 40 | N2 | = 3,6 +0,5 | V1 degrees | = 45 |
| Flange diameter M | = 180 | N3 | = 10 | | |
| M1 | = 126 | Number og Flangeholes | = 8 | | |
| M2 | = 110 | P | = 80x4 | | |
| M3 | = 76 | R1 | = 138 | | |
| Max. Bending Angle degrees | = 20 | S min | = 360 | | |
| N | = 65 | Spline dim. DIN 5480 | = 55x2,5x20 | | |